

X40m

LED Video Controller

Specification V1.1



Overview

X40m is a controller with powerful video input and processing capacity. It supports 4K inputs with DP 1.2 and HDMI 2.0 connectors, and 2K inputs with HDMI 1.4 and DVI connectors. A single unit features a loading capacity of 26.21 million pixels. Equipped with 40 Gigabit Ethernet ports and 4×10G optical fiber ports, X40m is able to meet the need of different clients. Additionally, X40m boasts abundant practical functions that enable flexible screen control and high-quality image display.

Features

Input

- Maximum 4096×2160@60Hz.
- 4K input interface: 1× DP1.2, 1× HDMI2.0.
- 2K input interface: 2× HDMI1.4, 2× DVI.
- U-DISK interface: 1× USB3.0.

Output

- Maximum loading capacity 26.21million pixels.
- 40 Gigabit Ethernet ports output or 4×10 Gigabit optical ports output.^①

Audio

- 1× 3.5mm input.
- 1× 3.5mm, support HDMI and DP audio outputs.

Function

- Up to 6-window display, 1 layer per window.^②
- Support freely moving the window, the size is at least 64×64.
- Support freely cropping and seamless switching, the size is at least 64×64.
- Adjusting display color gamut with precision color management, it needs corresponding specific receiving cards.
- lock internal sync, input signal source frame, automatic phase locking (according to the layer).
- Bright and color temperature adjustment with precision.
- 3D display (purchase separately).

^① Ethernet port output and optical port output cannot be used at the same time.

^② When one 4K input signal, it can also support four 2K input; when two 4K input signals, only 2 windows can be opened.

- Better grayscale at low brightness for improving the grayscale performance in low brightness.
- 128 scene parameters can be saved and recalled.
- Upgrade program and play photos, videos with U-disk.
- OSD is used to play videos, pictures and adjust the screen display (optional).

Control

- USB port for control and cascading.
- RS232 protocol.
- LAN port for TCP/IP control.
- Android APP for phones and tablets.

Applications



Appearance

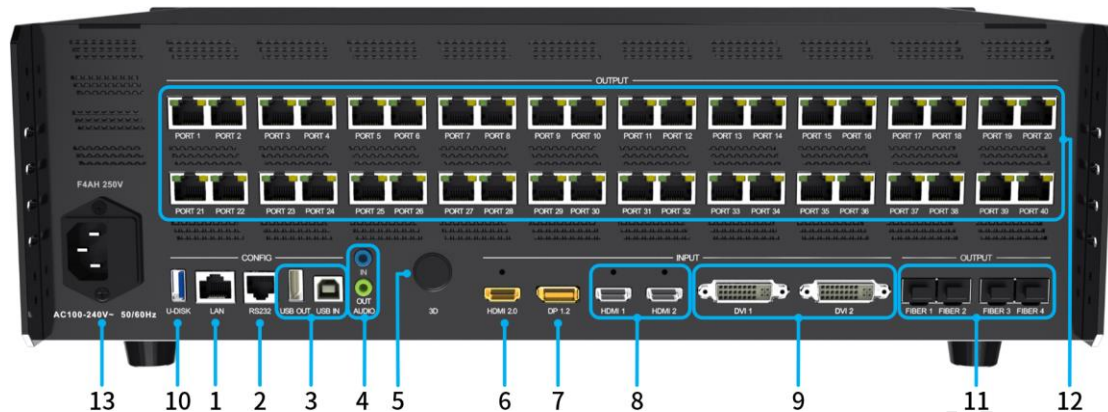
Front panel



No.	Item	Function
1	LCD screen	Display the operation menu and system information.
2	Knob	Press the knob to access the submenu or confirm. Turn the knob to select menu items or adjust parameters.
3	Function button	<ul style="list-style-type: none"> • OK: Enter. • Bright: Adjust brightness. • ESC: Exit the current interface. • Black: Black the screen. • Lock: Lock the front panel keys. • Freeze: Freeze the output screen. • HDMI 2.0 / DP / HDMI 1 ► / HDMI 2 ◼ / DVI 1 ◀ / DVI 2 ▶: <ul style="list-style-type: none"> - Switching to a signal source by clicking corresponding button. - In U-disk playback mode, these buttons serve respectively as play / pause, stop, previous and next. • Signal: View signal status. • Media: Media playback function buttons. • Mode: Choose a preset scene.
4	Power Switch	Switch on / off.

* The product pictures are for reference only, please refer to the actual product.

Rear panel

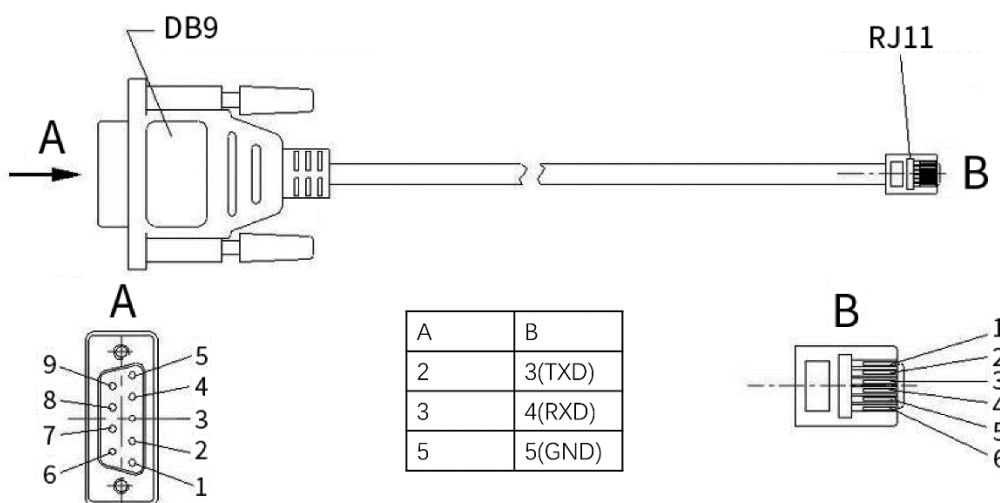


Control		
1	LAN	RJ45 port, connect to a switch for accessing local area network.
2	RS232	*RJ11 port(6P6C), connect to third-party device.
3	USB IN	USB2.0 Type B port, connect to PC for debugging.
	USB OUT	USB2.0 Type A port, as cascading output.
Audio		
4	AUDIO IN	<ul style="list-style-type: none"> Interface type: 3.5mm. Receive audio signals from computers and other equipment.
	AUDIO OUT	<ul style="list-style-type: none"> Interface type: 3.5mm. Support HDMI, DP audio decoding and output audio signals to device such as active speakers.
3D		
5	3D*	4-pin S terminal connector, output 3D sync signal (optional, for use with active 3D glasses).
Input		
6	HDMI 2.0	<ul style="list-style-type: none"> 1×HDMI2.0 input, support HDMI1.4/HDMI1.3. Maximum 4096×2160@60Hz, maximum pixel clock 600MHz. Customized resolution: up to 8192 pixels in width or in height. Support EDID settings. Support audio input.
7	DP 1.2	<ul style="list-style-type: none"> 1×DP1.2 input. Maximum 4096×2160@60Hz, maximum pixel clock 600MHz. Customized resolution: up to 8192 pixels in width or in height. Support EDID settings. Support audio input.

8	HDMI 1, HDMI 2	<ul style="list-style-type: none"> • 2× HDMI1.4 input. • Maximum 1920×1200@60Hz, maximum pixel clock 165MHz. • Customized resolution: up to 4096 pixels in width or in height. • Support EDID settings. • Support audio input.
9	DVI 1, DVI 2	<ul style="list-style-type: none"> • 2× DVI input. • Support 1920×1200@60Hz, maximum pixel clock 165MHz. • Customized resolution: up to 4096 pixels in width or in height. • Support EDID settings.
10	U-DISK	<ul style="list-style-type: none"> • U-disk interface, hot-swappable, support play video / photo playback from U-disk. • USB flash drive format: NTFS, FAT32, exFAT. • Image format: JPEG, BMP, PNG, WEBP, GIF. <ul style="list-style-type: none"> - Maximum image 4096×2160. • Video file: 3GP, AVI, FLV, M4V, MKV, MP4, TP, TS, VOB, WMV, MPEG. <ul style="list-style-type: none"> - Video encoding: MPEG-1 / 2, MPEG-4, H.264/AVC, H.265/HEVC, GOOGLE VP8, MOTION JPEG. - Audio encoding: MPEG Audio, Windows Media Audio, AAC Audio, AMR Audio. - Maximum 4096×2160@60Hz.
Output		
11	FIBER 1, FIBER 2, FIBER 3, FIBER 4	<ul style="list-style-type: none"> • 4×10G Optical interfaces. <ul style="list-style-type: none"> - FIBER 1 corresponds to PORT 1-10 Gigabit Ethernet ports output. - FIBER 2 corresponds to PORT 11-20 Gigabit Ethernet ports output. - FIBER 3 corresponds to PORT 21-30 Gigabit Ethernet ports output. - FIBER 4 corresponds to PORT 31-40 Gigabit Ethernet ports output. • Equipped with 10G single-mode optical module(purchase separately),the device supports dual LC fiber interface (wavelength 1310nm,transmission distance 2 km).
12	PORT 1-40	<ul style="list-style-type: none"> • 40 Gigabit Ethernet ports. <ul style="list-style-type: none"> - One network port load capacity: 655360 pixels, total load

		<p>capacity is 26.21 million pixels.</p> <ul style="list-style-type: none"> - Maximum 16384 pixels in width or 8192 pixels in height. • The recommended maximum cable (Cat 5e) run length is 100 meters. • Support redundant backup.
Power supply		
13	Power Socket	AC100-240V, 50 / 60Hz, connect to AC power supply, built-in fuse.

* DB9 female to RJ11(6P6C) cable:



Signal format

Input	Color space	Sampling	Color depth	Max Resolution	Frame rate
HDMI2.0	YCbCr	4:2:2	8bit	4096×2160@60Hz	23.98, 24, 25, 29.97, 30, 50, 59.97, 60, 120, 144, 200, 240
	YCbCr/ RGB	4:4:4	8bit		
DP1.2	YCbCr	4:2:2	8bit	4096×2160@60Hz	23.98, 24, 25, 29.97, 30, 50, 59.97, 60, 120, 144, 200, 240
	YCbCr/ RGB	4:4:4	8bit		
DVI	YCbCr	4:2:2	8bit	1920×1200@60Hz	23.98, 24, 25, 29.97, 30, 50, 59.97, 60, 120, 144, 200, 240
	YCbCr/ RGB	4:4:4	8bit		
HDMI 1.4	YCbCr	4:2:2	8bit	1920×1200@60Hz	23.98, 24, 25, 29.97, 30, 50, 59.97, 60, 120, 144, 200, 240
	YCbCr/ RGB	4:4:4	8bit		

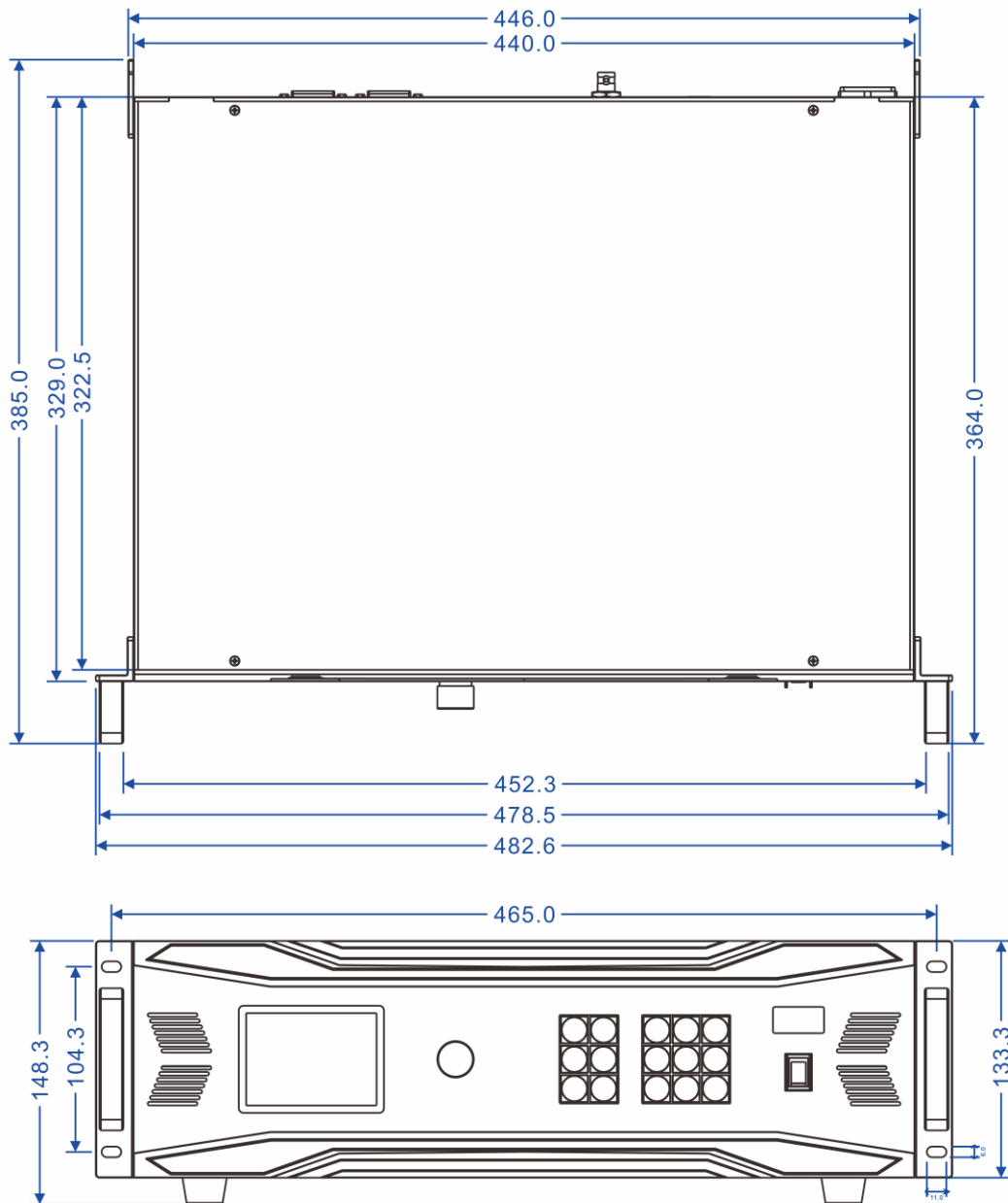
* Only some of the regular resolutions are shown above.

Parameters

Dimensions (W×H×D)	
Unboxed	482.6mm (19") × 133.3mm (5.3") × 385.0mm (15.2"), w/o foot pad.
Boxed	560.0mm (22.1") × 240.0mm (9.5") × 480.0mm (18.9")
Weight	
Net weight	6.10kg (13.45lbs)
Total weight	8.80kg (19.40lbs)
Electrical specification	
Power input	AC100-240V, 2.6A, 50/60Hz
Rated power	85W
Operating environment	
Temperature	-20°C~65°C (-4°F~149°F)
Humidity	0%RH~80%RH, no condensation
Storage environment	
Temperature	-30°C~80°C (-22°F~176°F)
Humidity	0%RH~90%RH, no condensation
Certification	
CCC, CE, FCC, IC, UKCA.	
* If the product does not have the relevant certifications required by the countries or regions where it is to be sold, please contact Colorlight to confirm or address the problem. Otherwise, the customer shall be responsible for the legal risks caused or Colorlight has the right to claim compensation.	

Reference dimensions


Unit: mm



Statement

Copyright © 2022 Colorlight Cloud Tech Ltd. . All rights reserved.

Without the express written permission of Colorlight Cloud Technology Co., Ltd., no unit or individual may copy, copy, transcribe or translate part or all of the contents of this book. Not to be used for any commercial or profit-making purposes in any form or by any means.

 **Colorlight**[®] The logo is a registered trademark of Colorlight Cloud Technology Co., Ltd.

Without the written permission of the company or the trademark owner, no unit or individual may in any way or for any reason use, reproduce, modify, disseminate, transcribe or infringe all or any part of the above-mentioned trademark, nor may it be bundled with other products. Use sales.

As factors such as product batches and production processes may change, in order to provide accurate product information, specification parameters, and product characteristics in order to match the actual product, the text description and picture effects in the document will be adjusted and revised appropriately. If it is necessary to carry out the above modification and adjustment without prior notice, please refer to the actual product.

Welcome to choose to use the products of Colorlight Cloud Technology Co., Ltd. If you have any questions or suggestions in use, please contact us through official channels, we will try our best to support and listen to your valuable suggestions. For more information and updates, please visit the official website www.colorlightinside.com or scan the QR code.

Service Phone

4008 770 775

Colorlight Cloud Technology Co., LTD

Official Website: www.colorlightinside.com
Head Office Address: Room 37F-39F, Building 8, Zone A,
Shenzhen International Innovation Valley, Vanke Cloud City, Dashi Yilu,
Nanshan District, Shenzhen, China

