

CCM6000



# CCM6000

Scientific Area Array Colormeter

## Overview

CCM6000 is a scientific area array colormeter developed by Colorlight. It use CIE1931-XYZ filter to fit the biological characteristics of human vision. It is equipped with 16-bit high-precision sensor and built-in constant temperature refrigeration system. All these features and capabilities are included to realize accurate and stable capture of brightness and color information of LED screen. The system is able to eliminate COB/Mini/Micro LED screen chromatic non-uniformity.

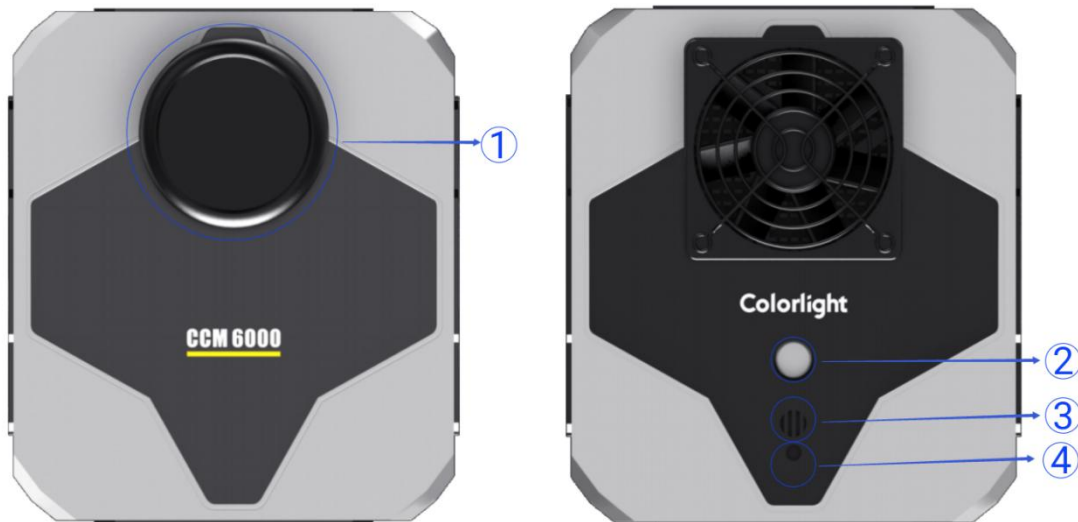
## Features

- CCM6000 has an ultra-high resolution of 60 million pixels with 3840x2160 LEDs can be captured without moving the camera.
- The CCM6000 can automatically adjust the internal temperature and be cooled 35°C lower than ambient temperature with the tolerance of  $\pm 1^{\circ}\text{C}$ .
- The CCM6000 is equipped with 16-bit high-precision sensor with capture precision of 65536.
- CCM6000 use CIE1931-XYZ filter that fits the biological characteristics of human vision.
- The CCM6000 uses a USB 3.0 interface with maximum transmission rate of 2.5Gbps.
- CCM6000 supports the capture distance in the range of 0.5m-15m which is suitable for various calibration scenarios.
- CCM6000 supports ultra-low brightness precise capture with a minimum brightness of 0.01nit, which can perform high brightness calibration, low brightness calibration and multiple grayscale level calibrations.
- CCM6000 is designed to realize module calibration, cabinet calibration and screen calibration easily.
- It supports SMD, COB, GOB screen calibration.

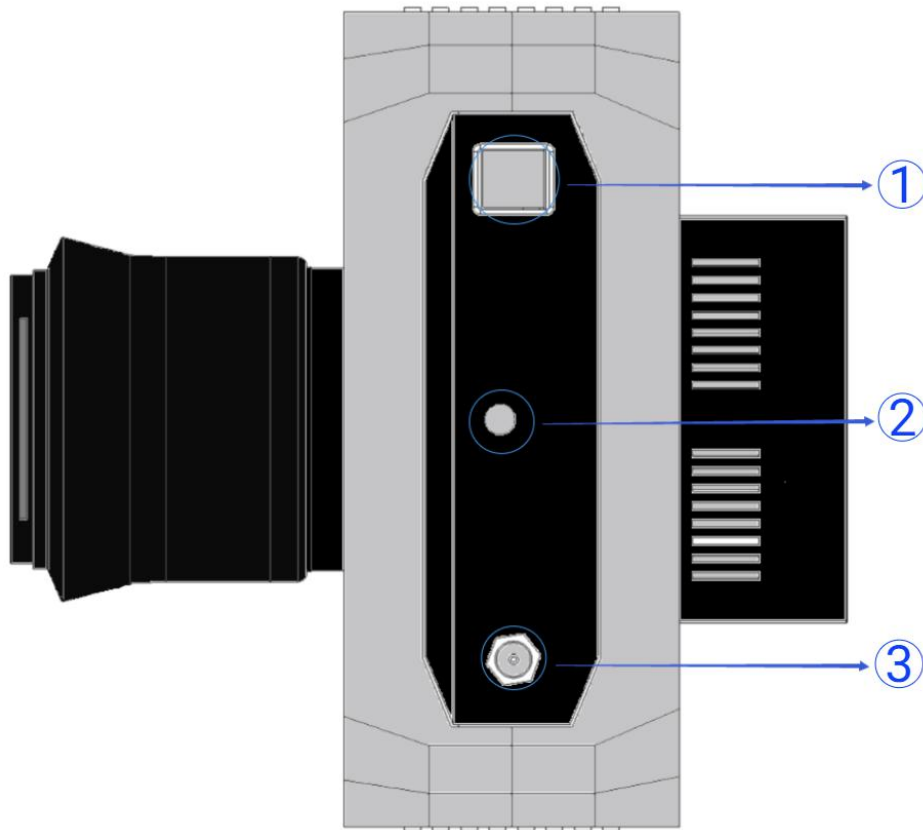
### Specification parameters

Resolution	9600×6400
Full Well	80000e <sup>-</sup> @ (1×1binning)
Dark Current	0.0022 electrons/second at 0°C
ADC	16bit
Interface	USB3.0
Download Speed	2.5FPS@16bit
System Accuracy	Luminance (Y) ± 1%; Color Coordinates (x,y) ± 0.003
Repeatability	Luminance (Y) ± 0.15%; Color Coordinates (x,y) ± 0.0005
Cooling	35°C lower than ambient temperature

### Appearance



No.	Description
1	Nikon F
2	Power switch
3	Buzzer
4	Indicator



No.	Description
1	USB3.0
2	1 / 4 inch screw port
3	Power (12V DC 6A)

### Packing list

No.	Name	Qty
1	CCM-6000 Camera	1
2	Lens(Optional 35mm,50mm,100mm,default 50mm)	1
3	Power adaptor	1
4	USB cable	1
5	Tripod	1
6	PTZ	1
7	Custom case	1
8	USB drive with software	1

Dimensions

