

# C3 Pro Player

---

Specification v2.1.1



## Overview

C3 Pro is a new-generation cloud networking player, which supports a wide range of networking options including ColorlightCloud, WiFi, wired networks and 4G. It can be deployed rapidly to achieve intelligent cloud management, multi-screen, multi-business and cross-regional unified management. C3 Pro is a more aggressive choice in the fields of indoor and outdoor fixed installation, centralized management, publish and monitoring. Because of this, it can be widely used in various commercial displays such as LED post screen, store screen, advertising player, mirror screen, vehicle screen, etc.

## Features

- Maximum load capacity of 650,000 pixels, with maximum 4096 pixels in width and maximum 3840 pixels in height.
- Multi-level organization cloud management and role-based program cloud publishing.
- LED screen cloud monitoring and automatic notifications and actions based on the alarm configuration.
- Powerful processing performance, supporting H.265 4K high-definition video hardware decoding and playback.
- 8GB storage.

## Multiple play modes

- USB storage plug and play, content update.
- Multiple-screen simultaneous playback.
- Command and content schedule.

## Contents

- Multi-program pages playback, up to 32 program pages.
- Abundant media materials, pictures, videos, texts, clocks, etc.
- Multi-window playing and overlay, with freely set window size and position.
- Play up to 2 high-definition video or one 4K video simultaneously.

## Comprehensive control scheme

- Support multiple control platforms: LED assistant, APP control for mobile phone and tablet.

## Network communication

- Dual band and dual mode WiFi, supporting WiFi 2.4G and 5G band<sup>1</sup>, WiFi hotspot and WiFi client.
- LAN, DHCP mode and static mode.
- 4G (optional).
- GPS (optional).

## Specifications

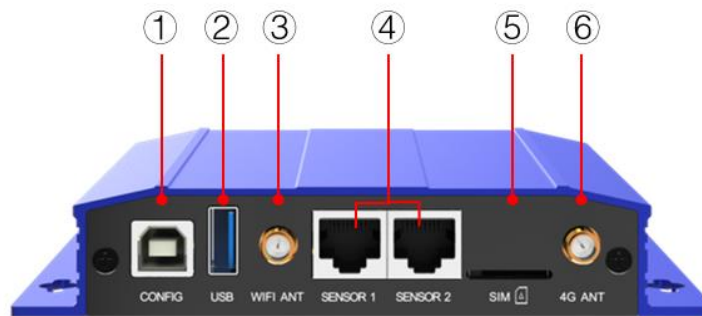
| Basic parameters  |   |
|---|---|
| Hardware Quality  | 4K high-definition hard decoding playing.   |
| Storage   | 8 GB (4 GB for content).  |
| RAM   | 1 GB.   |
| Loading Capacity  | Maximum loading capacity: 650,000 pixels.<br>Maximum width: 4096 pixels, maximum height: 3840 pixels. |
| OS  | Android OS 9.0 (Android Pie).   |
| Receiving Card support  | All Colorlight receiving cards.   |
| Physical parameters   |   |
| Dimensions (W×H×D)  |   |
| Unboxed (W×H×L)   | 135.71mm×25.30mm×125.29mm (5.34×1.00×4.93 inch).  |
| Boxed (W×H×L)   | 370.0mm×52.0mm×320mm (14.57×2.05×12.60 inch).   |
| Electrical specification  |   |
| Operating Voltage   | DC 5V-12V.  |
| Power Adapter   | AC 100~240V 50Hz.   |
| Maximum Power Consumption   | 10W.  |
| Weight  | 0.33kg (11.64 oz).  |
| Operating environment   |   |
| Temperature   | -40°C~80°C (-40°F~176°F).   |
| Humidity  | 0-95%, non-condensing.  |
| Certification   |   |
| CE, CE-RED, FCC, FCC-ID.  |   |
| * If the product does not have the relevant certifications required by the countries or regions where it is to be sold, please contact Colorlight to confirm or address the problem. Otherwise, the customer shall be responsible for the legal risks caused or Colorlight has the right to claim compensation. |   |

<sup>1</sup> The signal stability and quality of WiFi hotspot and WiFi client is related to the transmission distance, wireless network environment and WiFi band.

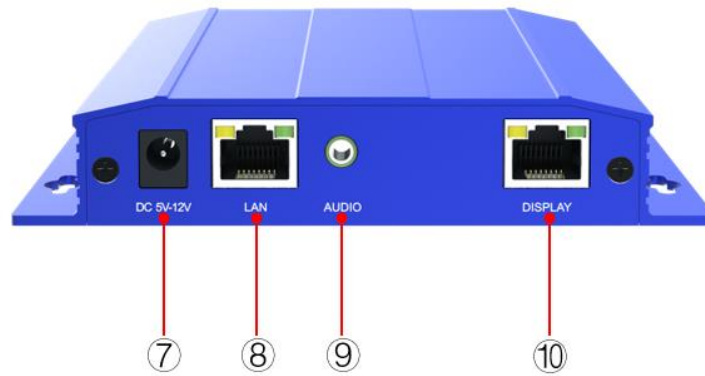
| File format               |  |
|---------------------------|--|
| Program Schedule          | Support scheduled play back of content.  |
| Program Split             | Support flexible windows split, windows overlapping, and multiple pages in a program.  |
| Video Formats             | HEVC (H.265), H.264, MPEG-4 Part 2, Motion JPEG, etc.  |
| Audio Formats             | AAC-LC, HE-AAC, HE-AAC v2, MP3, Linear PCM, etc.   |
| Image Formats             | Bmp, jpg, png, gif, webp, etc.   |
| Text Formats              | Txt, rtf, word, ppt, excel, etc.   |
| Text Display              | Single-line text, multiple-line text, static text and text scroll.   |
| Multi-window Display      | Support up to 4 video windows, multiple picture / text, scrolling text, scrolling picture, LOGO, date / time / week and weather forecast windows. Flexible content display in different areas. |
| Window Overlapping        | Support arbitrary overlapping with fully transparent, opaque and translucent effects.  |
| RTC                       | Real-time clock display and management.  |
| USB storage plug-and-play | Support.   |

## Hardware

### Front



| No. | Name          | Function   |
|-----|---------------|--|
| 1   | CONFIG        | USB-B interface, for controlling the device, such as setting screen parameters and publishing a program.   |
| 2   | USB           | USB-A interface, USB 3.0 for updating programs via USB storage.  |
| 3   | WIFI ANT      | Connected with WiFi antenna, supporting 2.4G / 5G dual band, WiFi hotspot mode (as WiFi router) and WiFi client mode (connecting with other WiFi routers).                                 |
| 4   | SENSOR 1 / 2  | RJ11 interface, connected with a sensor to achieve automatic brightness adjustment, monitoring and display of index of ambient brightness, smoke, temperature, humidity, air quality, etc. |
| 5   | SIM card slot | Micro-SIM card slot.   |
| 6   | 4G ANT        | Connect to 4G antenna (optional).  |

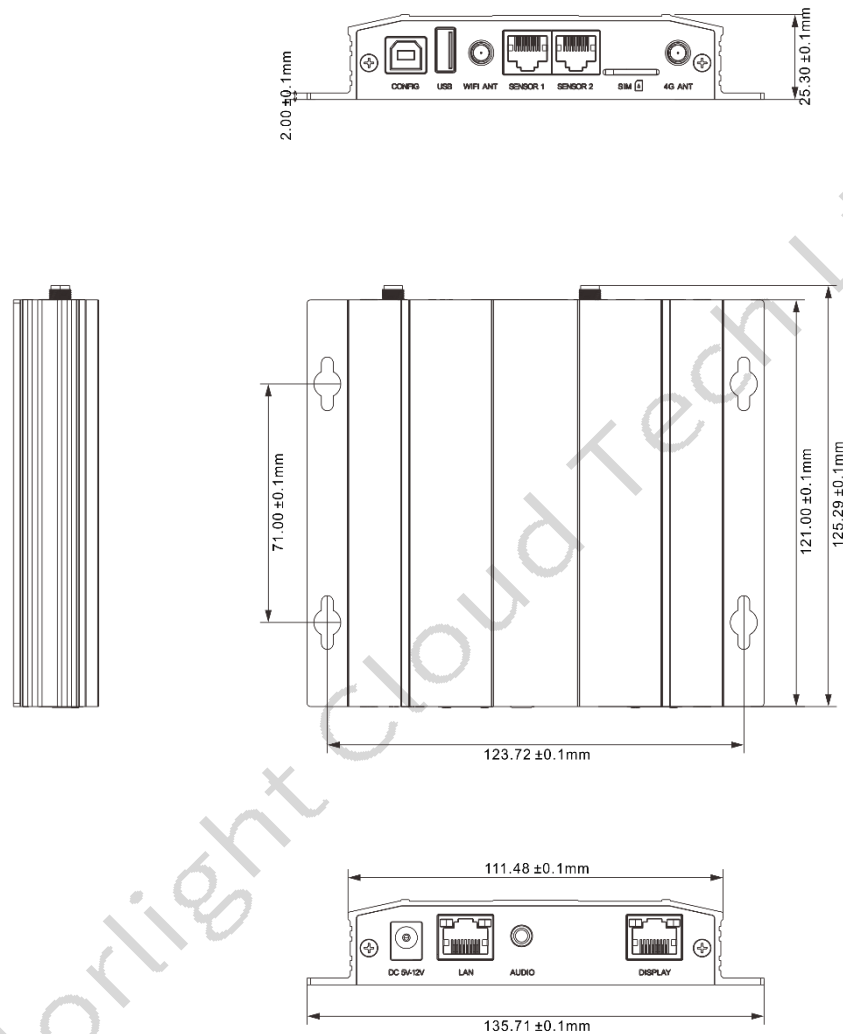
**Rear**


| No. | Name      | Function   |
|-----|-----------|--|
| 7   | DC 5V-12V | Power input.                                     |
| 8   | LAN       | Access local network or internet.                |
| 9   | AUDIO     | 3.5mm, HIFI stereo output.                       |
| 10  | DISPLAY   | RJ45, signal output, connect to receiving cards. |

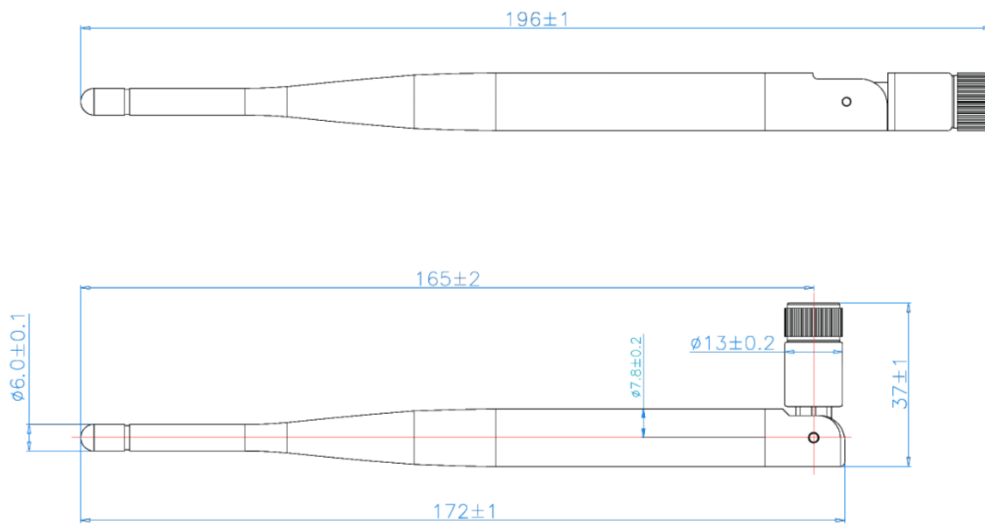
## Reference dimensions

Unit: mm

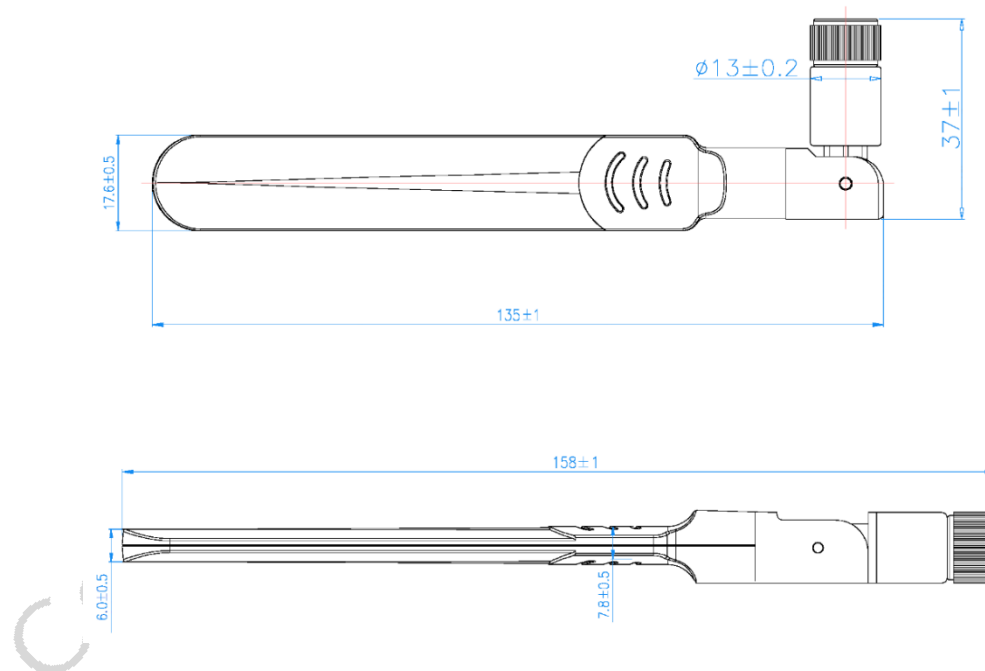
### C3 Pro player



WiFi antenna



4G antenna (optional)



## Configuration and Management Software

| Name            | Type          | Description   |
|-----------------|---------------|---|
| PlayerMaster    | PC Client     | It is used for local or cloud screen management, as well as program editing and publishing.                       |
| LEDVISION       | PC Client     | LED PC configuration tool, mainly used for configuring screen and adjusting the screen to optimize display state. |
| ColorlightCloud | Web           | A web-based management system for content publishing, cluster management, and screen monitoring.                  |
| LED Assistant   | Mobile Client | Support Android and iOS, enabling wireless control of the players.  |



## Statement

Copyright © 2024 Colorlight Cloud Tech Ltd. . All rights reserved.

Without the express written permission of Colorlight Cloud Tech Ltd., no unit or individual may copy, copy, transcribe or translate part or all of the contents of this book. Not to be used for any commercial or profit-making purposes in any form or by any means.

 **Colorlight®** The logo is a registered trademark of Colorlight Cloud Tech Ltd.

Without the written permission of the company or the trademark owner, no unit or individual may in any way or for any reason use, reproduce, modify, disseminate, transcribe or infringe all or any part of the above-mentioned trademark, nor may it be bundled with other products. Use sales.

As factors such as product batches and production processes may change, in order to provide accurate product information, specification parameters, and product characteristics in order to match the actual product, the text description and picture effects in the document will be adjusted and revised appropriately. If it is necessary to carry out the above modification and adjustment without prior notice, please refer to the actual product.

Welcome to choose to use the products of Colorlight Cloud Tech Ltd. If you have any questions or suggestions in use, please contact us through official channels, we will try our best to support and listen to your valuable suggestions. For more information and updates, please visit the official website [www.colorlightinside.com](http://www.colorlightinside.com) or scan the QR code.

Service Phone

**4008 770 775**

**Colorlight Cloud Tech Ltd.**

Official Website: [www.colorlightinside.com](http://www.colorlightinside.com)  
Head Office Address: Room 37F-39F, Building 8, Zone A,  
Shenzhen International Innovation Valley, Vanke Cloud City, Dashi Yilu,  
Nanshan District, Shenzhen, China

