

EA500C3

Indoor & Outdoor
500x500mm Rental LED Display

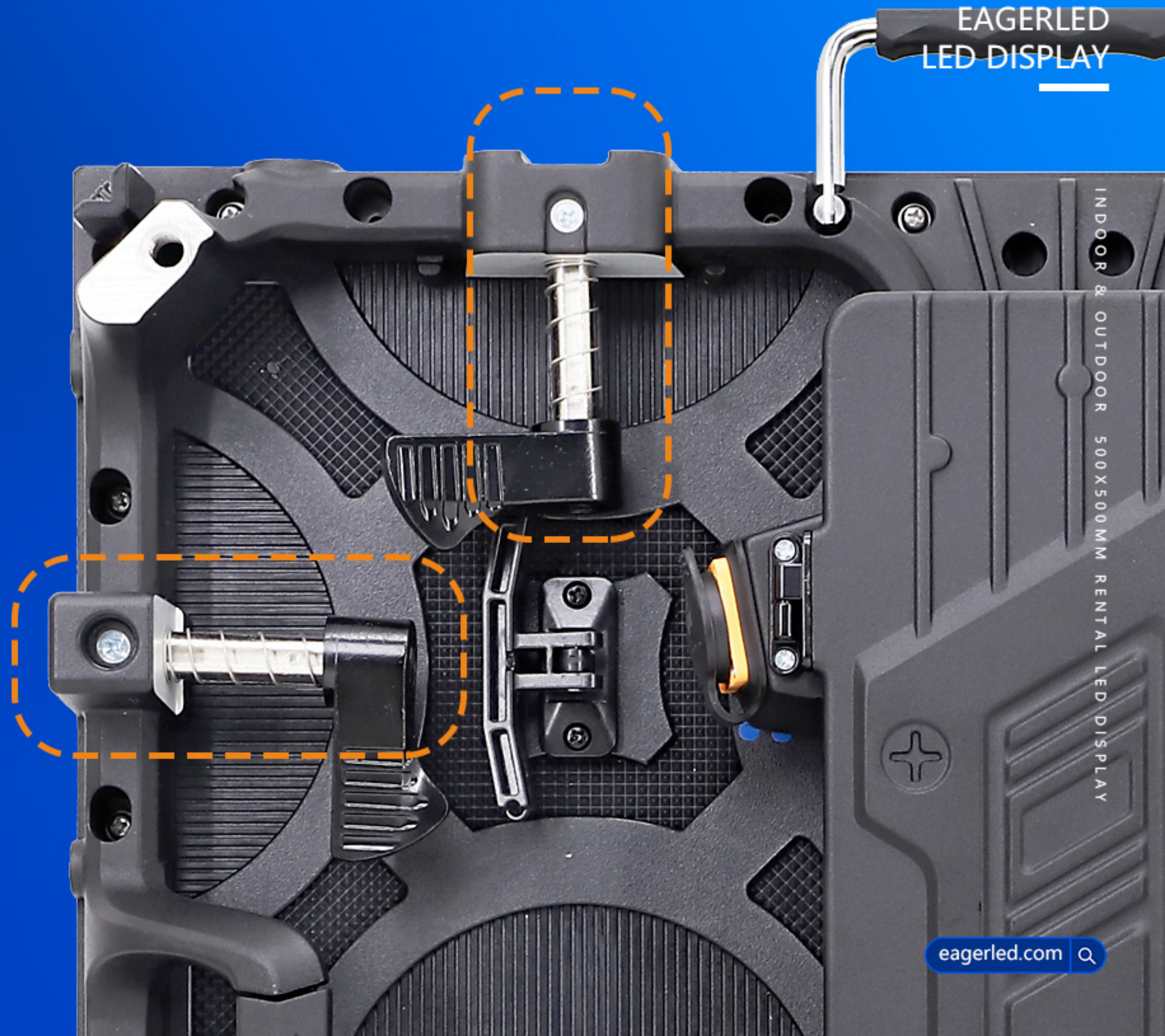
Feature:

1. Configure quick lock, support quick installation;
2. Corner protection design to protect the LED module;
3. Indoor series, support front maintenance design;
4. The back cover of the power supply can be opened for quick maintenance;
5. 500x500mm size, lightweight design.



Quick Install

One-man installation;
fast lock design.



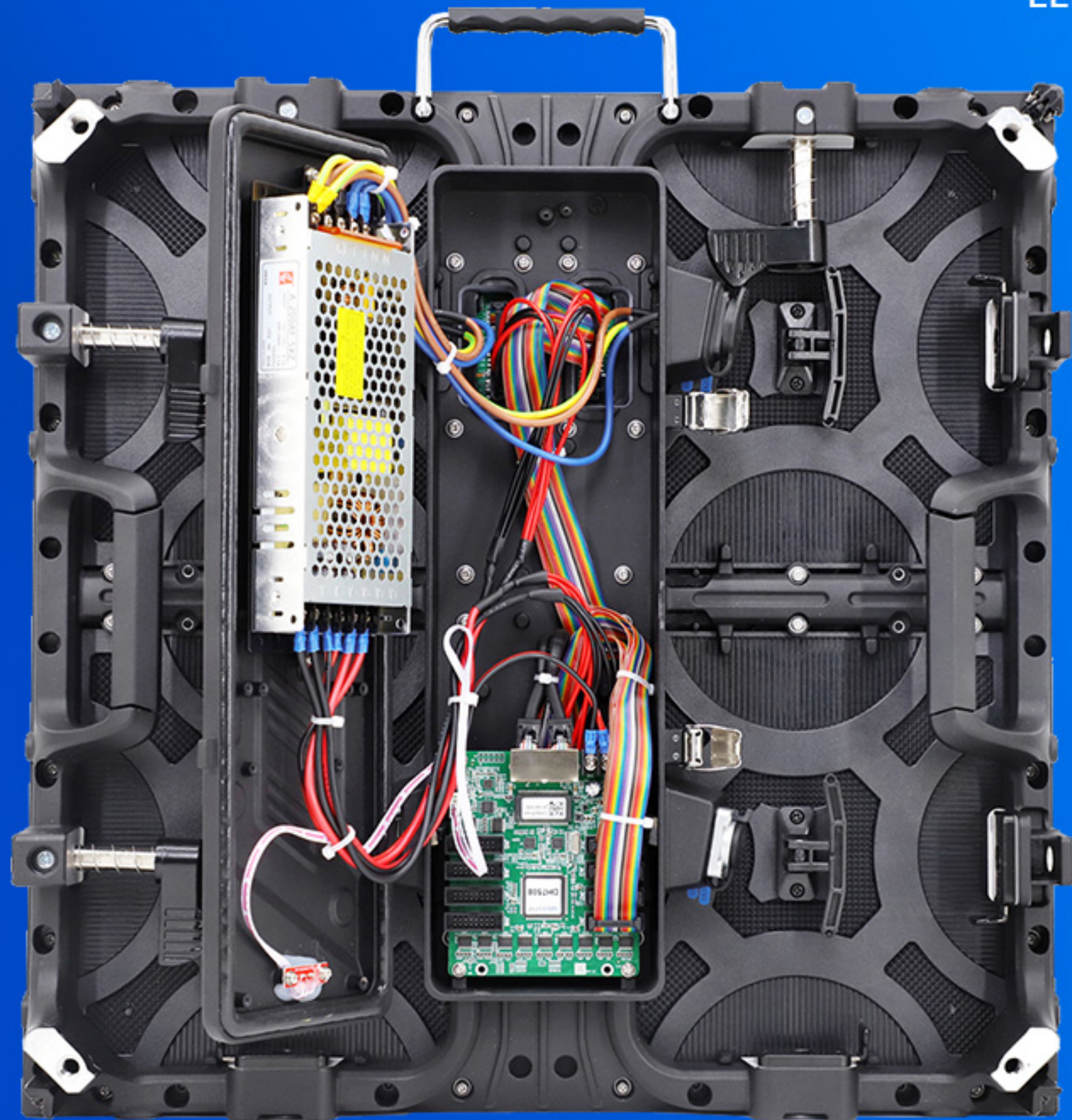
Corner Protector

Anti-Collision on four corners,
protect the led lamp.



Easy to Maintain

The back cover of the power supply can be quickly opened for easy maintenance.



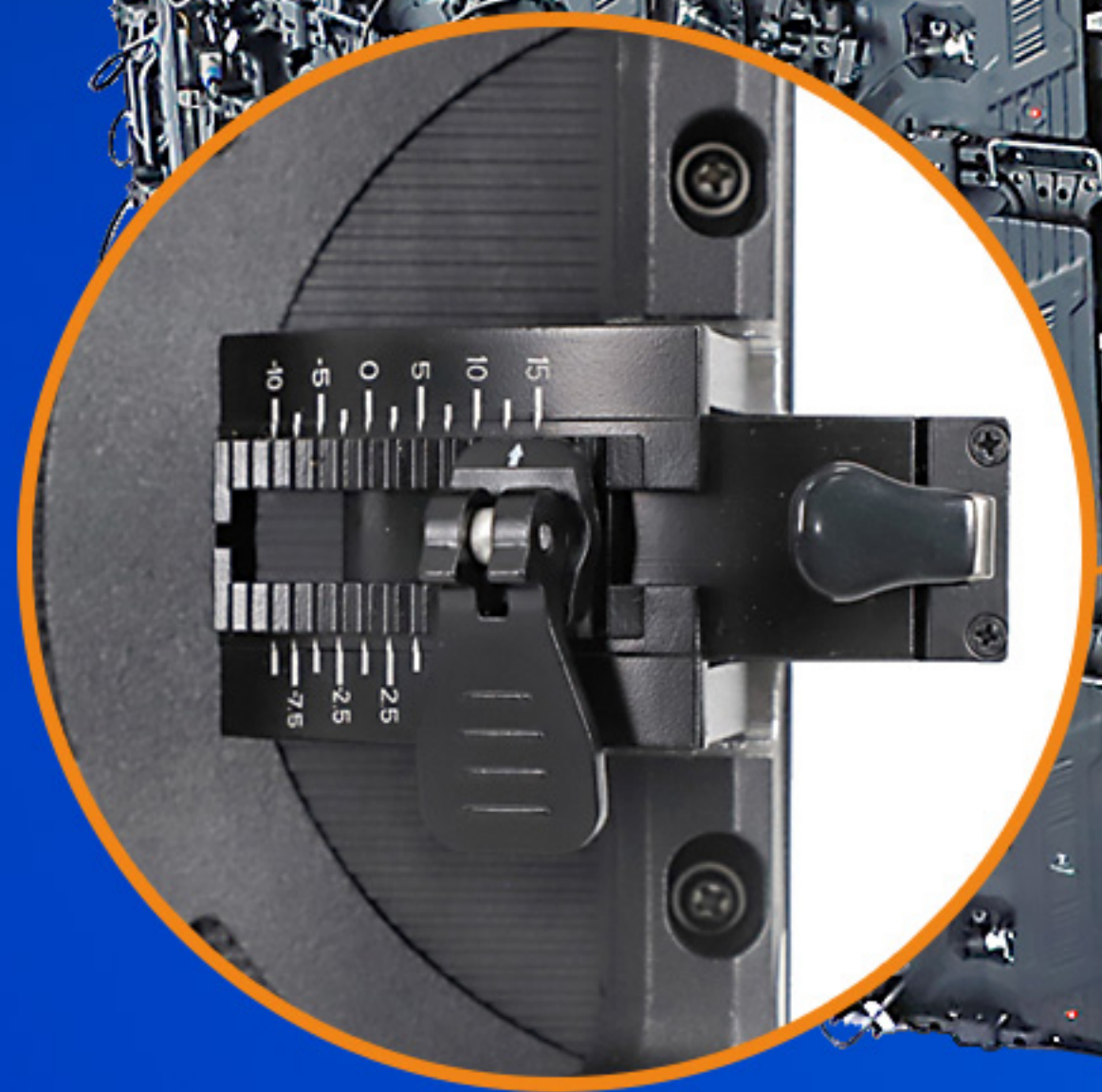
Front Service

Indoor EA500C3 series
supports front service design
(Optional)



Curved lock

Install curve locks for curved installation.
(Optional)



Superb Display Effect

INDOOR & OUTDOOR 500X500MM RENTAL LED DISPLAY

INDOOR & OUTDOOR 500X500MM RENTAL LED DISPLAY

3840Hz high refresh rate
High gray scale

Low refresh rate
Low grayscale



EagerLED EA500C3

Competing Product

Installation Method

INDOOR & OUTDOOR 500X500MM RENTAL LED DISPLAY



Stacking installation



Hanging installation

INDOOR & OUTDOOR 500X500MM RENTAL LED DISPLAY

Multiple Applications

INDOOR & OUTDOOR 500X500MM RENTAL LED DISPLAY



INDOOR & OUTDOOR 500X500MM RENTAL LED DISPLAY



Packing Method

(Refer to the packaging method)

Cabinet size(mm)	500*500(L*H)
Packing Quantity	8pcs/carton
Package Size(mm)	980*585*754(L*W*H)



EagerLED Leading LED Display Manufacturer



Whatsapp

+86 152 2013 3050



Website

eagerled.com



Youtube

@EagerLED



Tiktok

@eagerleddisplay