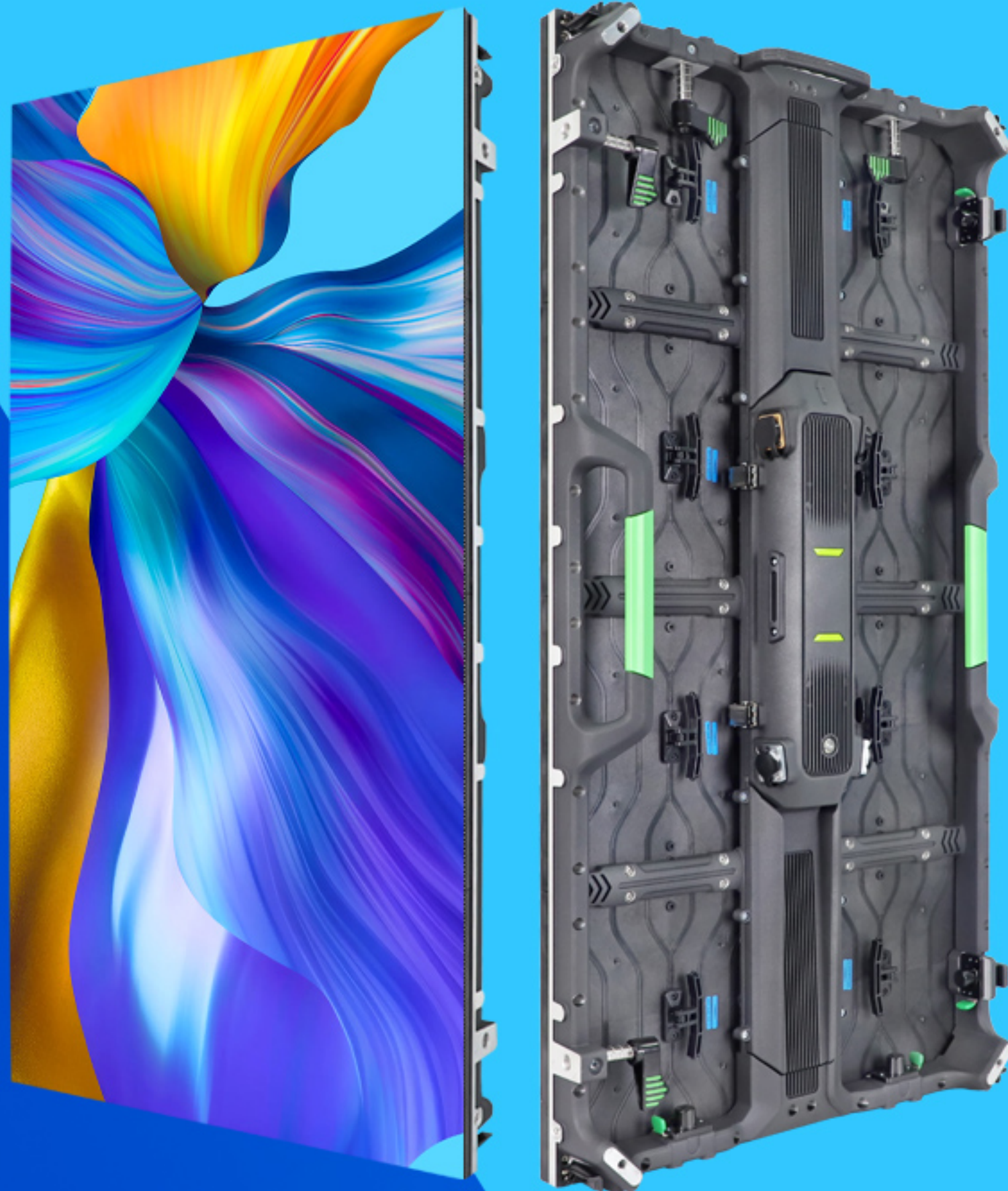


EA1000H4

Indoor & Outdoor
500x1000mm Rental LED Display

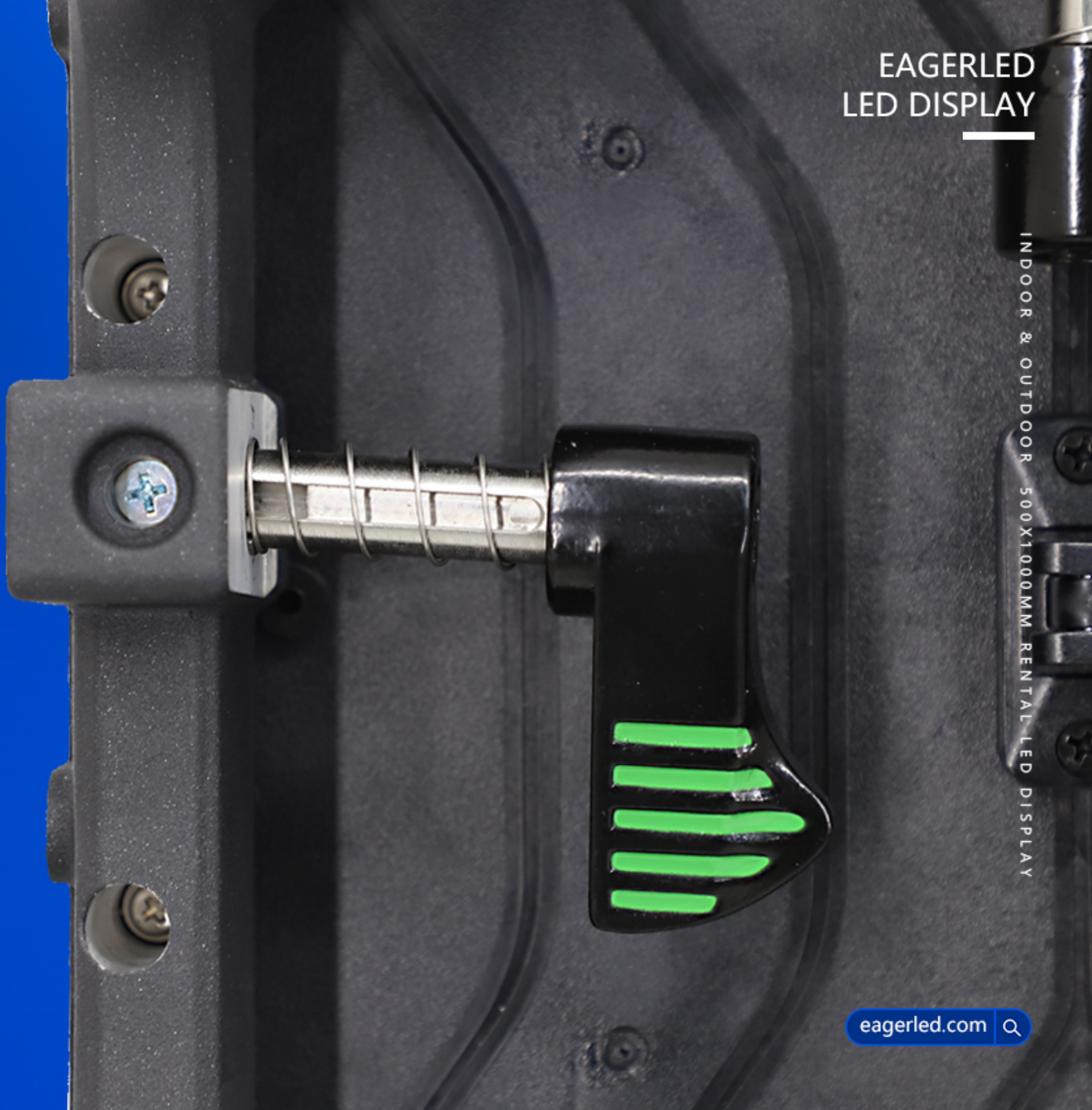
Feature:

1. Configure quick lock, support quick installation;
2. Corner protection design to protect the LED module;
3. support front and rear service design;
4. Hard Connection Design,
with detachable Power box and HUB Poard
5. 500x1000mm size, lightweight design.



Quick Install

One-man installation;
fast lock design.



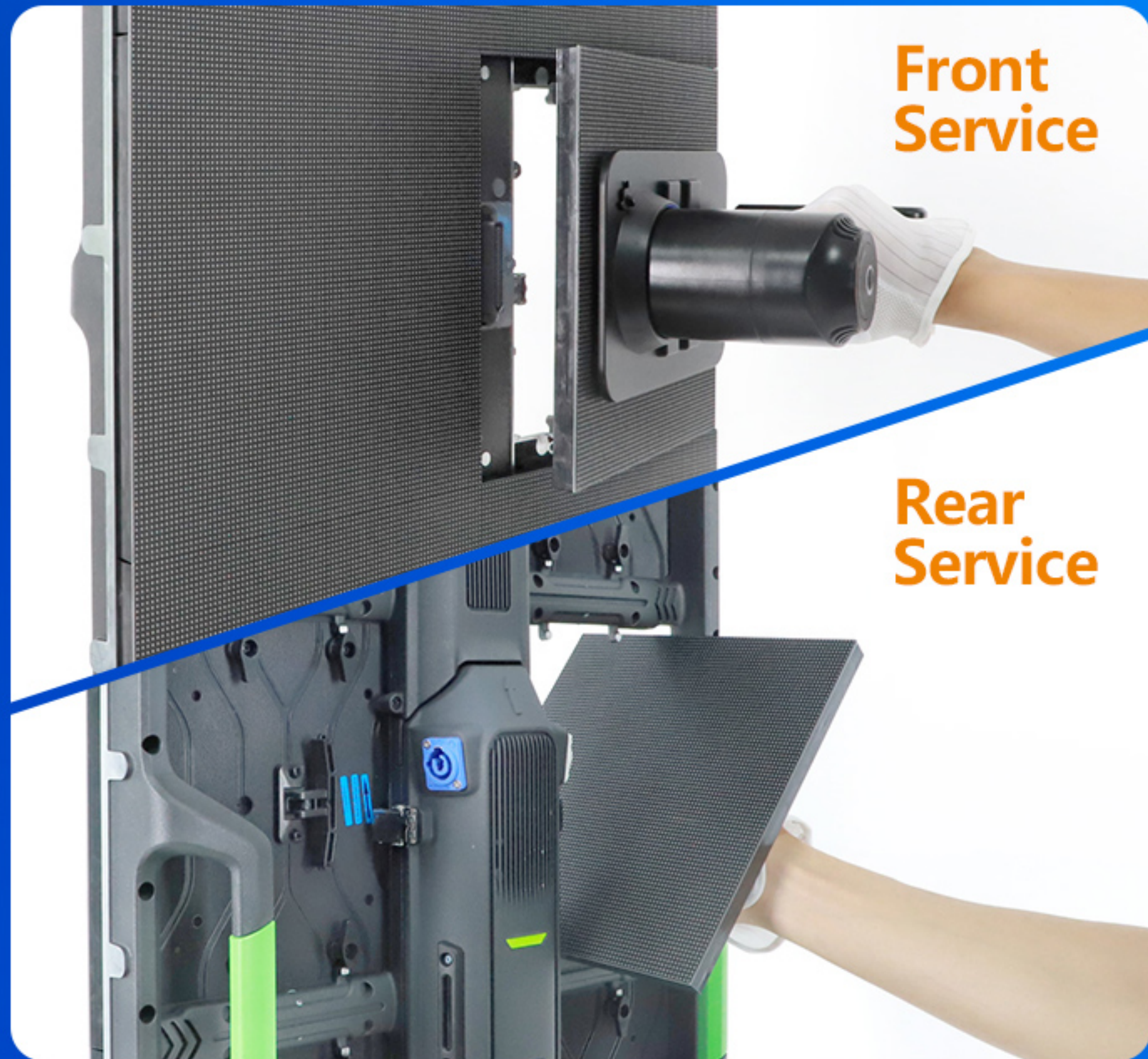
Corner Protector

Anti-Collision on four corners,
protect the led lamp.



Front & Rear Service

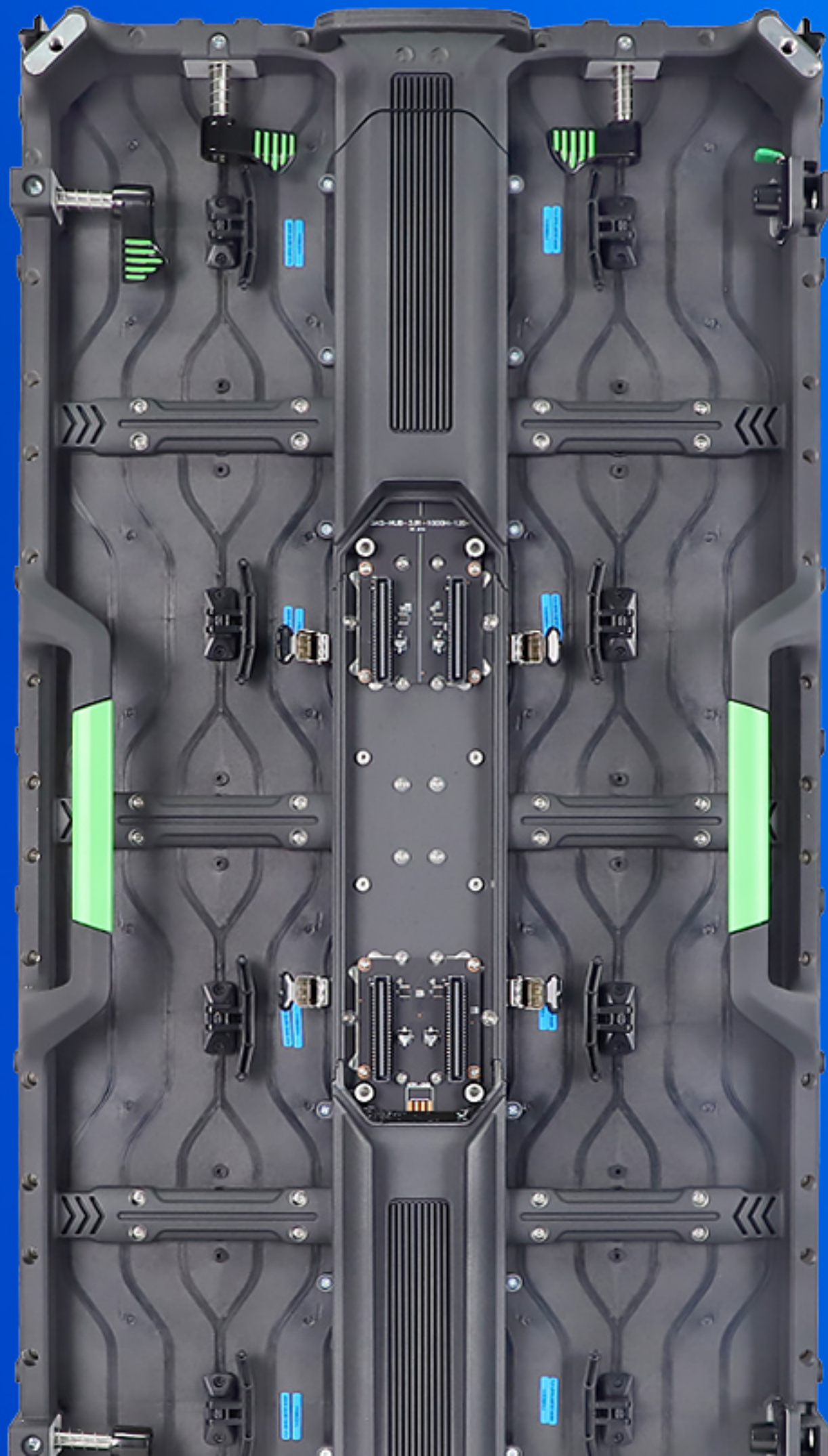
EA1000H4 series supports front and rear service design (Optional)



Detachable Back Cover

Hard connection design,
quick disassembly of
power box.

EA1000H4 SERIES

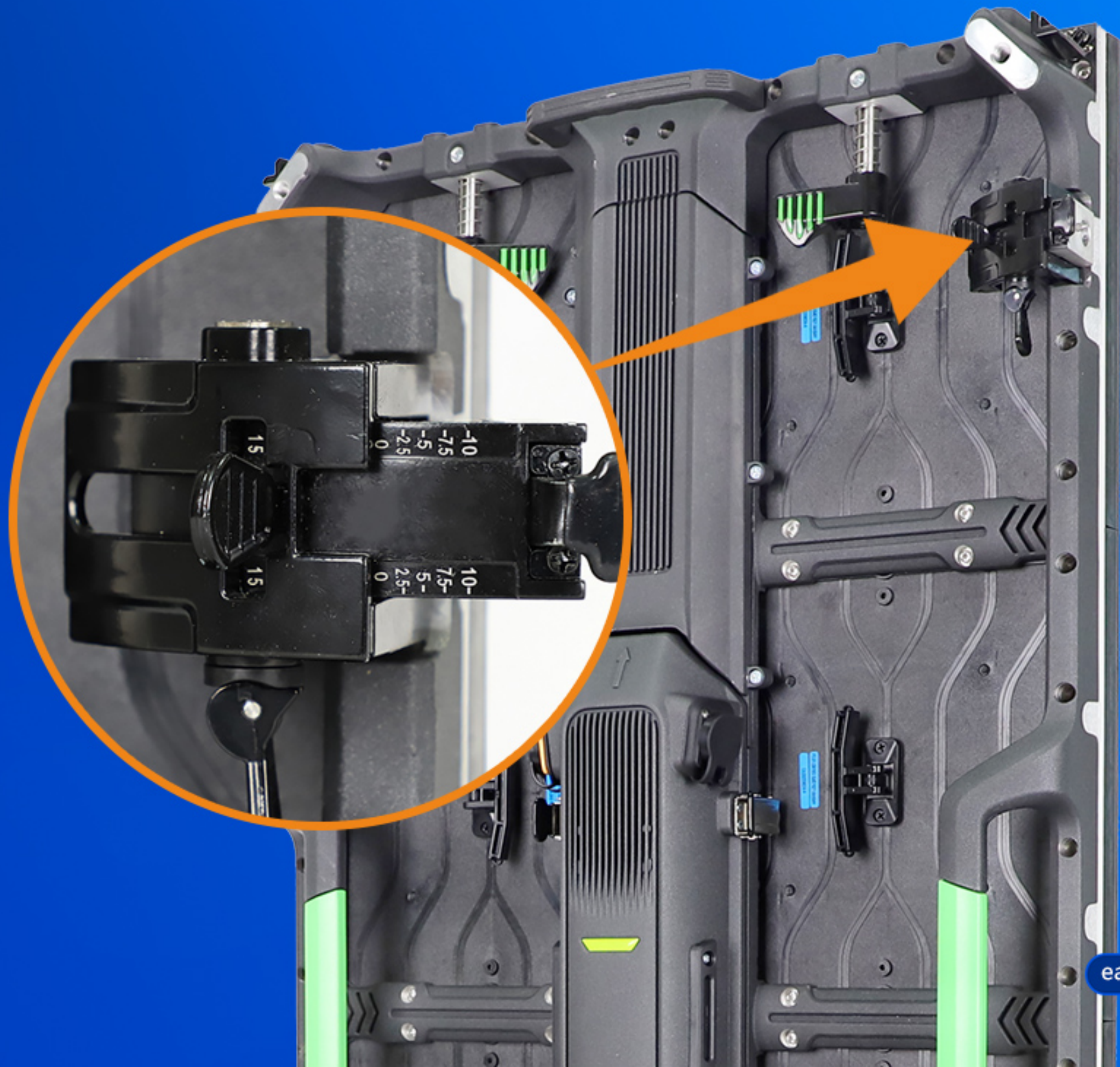


EAGERLED
LED DISPLAY



Curved lock

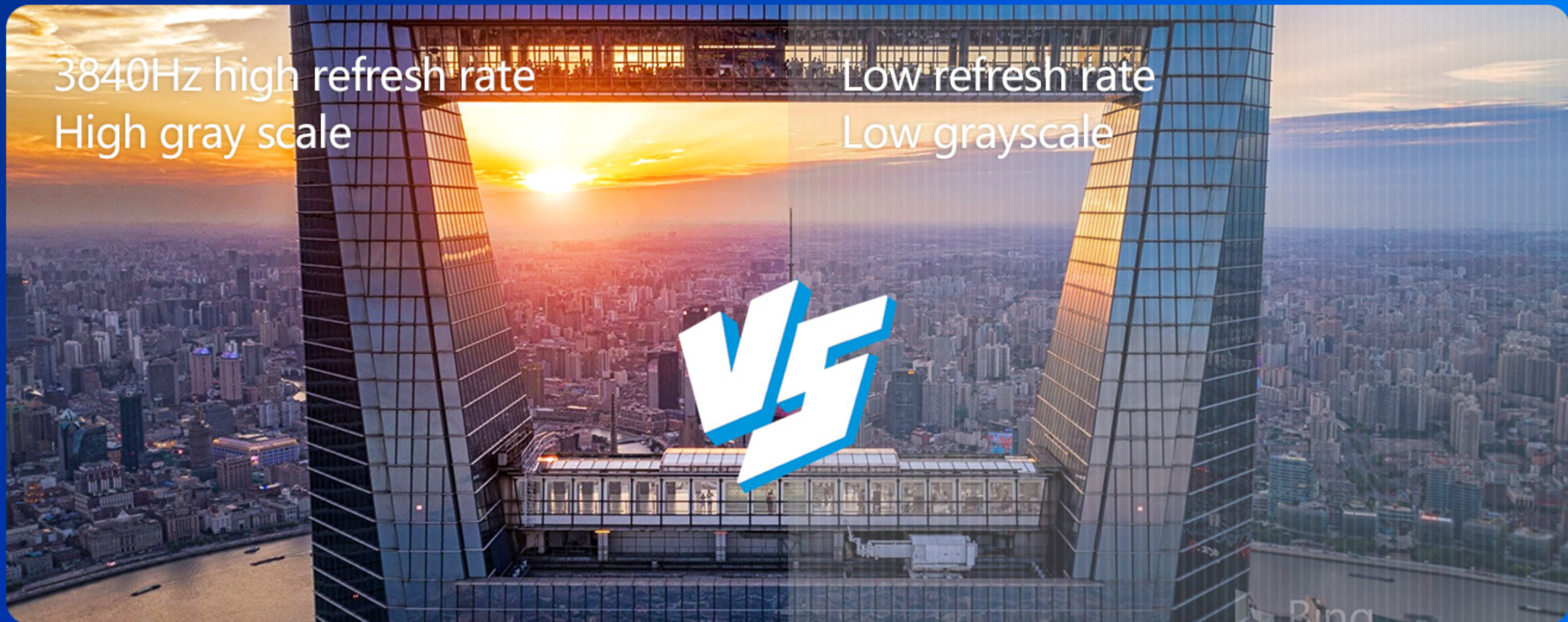
Install curve locks for curved installation.
(Optional)



Superb Display Effect

INDOOR & OUTDOOR 500X1000MM RENTAL LED DISPLAY

INDOOR & OUTDOOR 500X1000MM RENTAL LED DISPLAY



3840Hz high refresh rate
High gray scale

Low refresh rate
Low grayscale

VS

EagerLED EA1000H4

Competing Product

Installation Method

INDOOR & OUTDOOR 500X1000MM RENTAL LED DISPLAY



Stacking installation



Hanging installation

INDOOR & OUTDOOR 500X1000MM RENTAL LED DISPLAY

Multiple Applications

INDOOR & OUTDOOR 500X1000MM RENTAL LED DISPLAY



INDOOR & OUTDOOR 500X1000MM RENTAL LED DISPLAY

Packing Method

(Refer to the packaging method)

Cabinet size(mm)	500*1000(L*H)
Packing Quantity	6pcs/carton
Package Size(mm)	1110*750*745(L*W*H)



EagerLED Leading LED Display Manufacturer



Whatsapp

+86 152 2013 3050



Website

eagerled.com



Youtube

@EagerLED



Tiktok

@eagerleddisplay